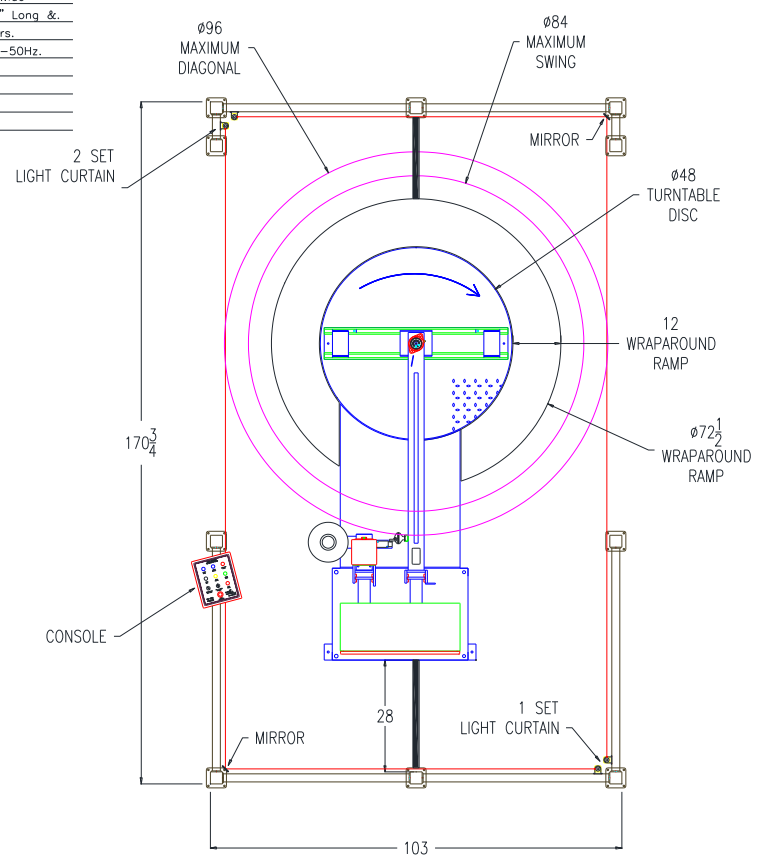


- |                                      |                     |
|--------------------------------------|---------------------|
| 1) Product to be Wrapperd:           | Window/Door         |
| 2) Widest Window:                    | 84"                 |
| 3) Thickest Window:                  | ?                   |
| 4) Tallest Window:                   | 144"                |
| 5) Maximum Diagonal:                 | 96"                 |
| 6) Ramp:                             | 12" Wide Wraparound |
| 7) Height-Floor to top of Disc:      | 2-7/8"              |
| 8) 42" Safety Rail:                  | Yes                 |
| 9) Product Opening:                  | 2ea. 96" Wide       |
| 10) Light Curtains:                  | 1 Set, 24" Long &   |
|                                      | 3ea. Mirrors.       |
| 11) Power Requirements:              | 110/1/60-50Hz.      |
| 12) Control Cabinet Fan and Exhaust: | ?                   |
| 13) Control Cabinet Air Conditioner: | ?                   |
| Customer Signature:                  |                     |
| Date:                                |                     |



**K**alamazoo  
**P**ackaging  
**S**ystems, inc.  
 Grand Rapids, Michigan

Name: 839 WINDOW/DOOR WRAPPER w/ SAFETY RAILING, LIGHT CURTAINS & WRAPAROUND RAMP  
 Date: 10/05/94  
 Drawn By: Ty Ferris

Dwg.No.: Q939EH-48-SR-LC-WR-V2  
 Rev. Date: 04/27/2017  
 Rev. By:

THIS DRAWING IN DESIGN AND DETAIL IS OUR PROPERTY. ALL DESIGN AND INVENTION RIGHTS ARE RESERVED.