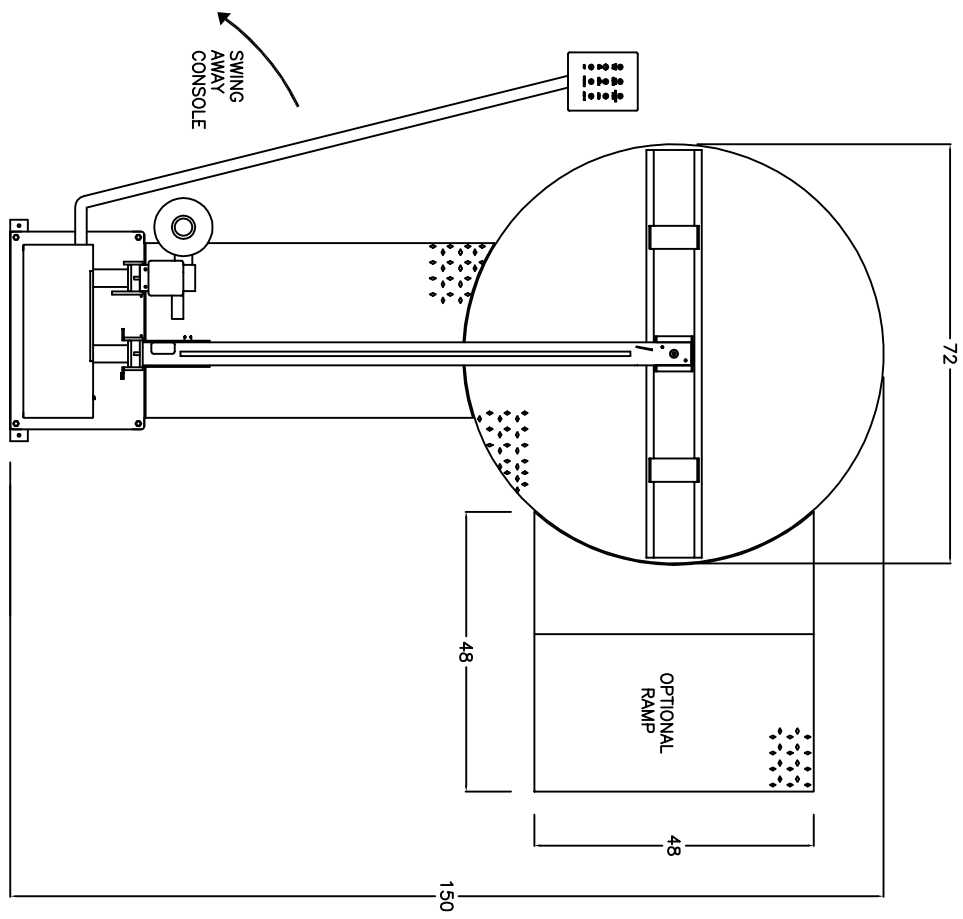
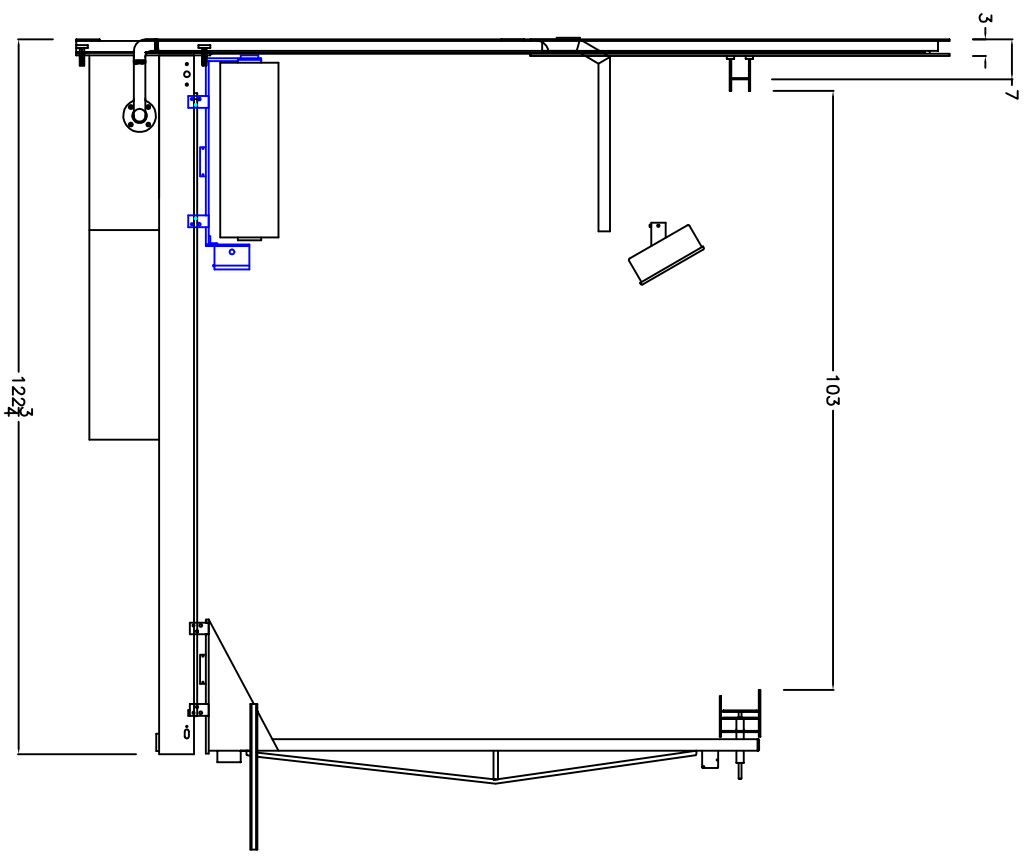


MAXIMUM WINDOW WIDTH 144"
 MAXIMUM WINDOW HEIGHT 96"



Kalamazoo
Packaging
Systems, inc.
 Grand Rapids, Michigan

Name: 939-JUMBO 144" STRETCH WRAP SYSTEM		Dwg. No.: 939-JUMBO144	
Date: 06/20/03		Rev. Date:	
Drawn By: Ty Ferris		Rev. By:	
Tolerance: x = :1/32 xx = :01 xxx = :003		THIS DRAWING IN DESIGN AND DETAIL IS OUR PROPERTY. ALL DESIGN AND INVENTION RIGHTS ARE RESERVED.	